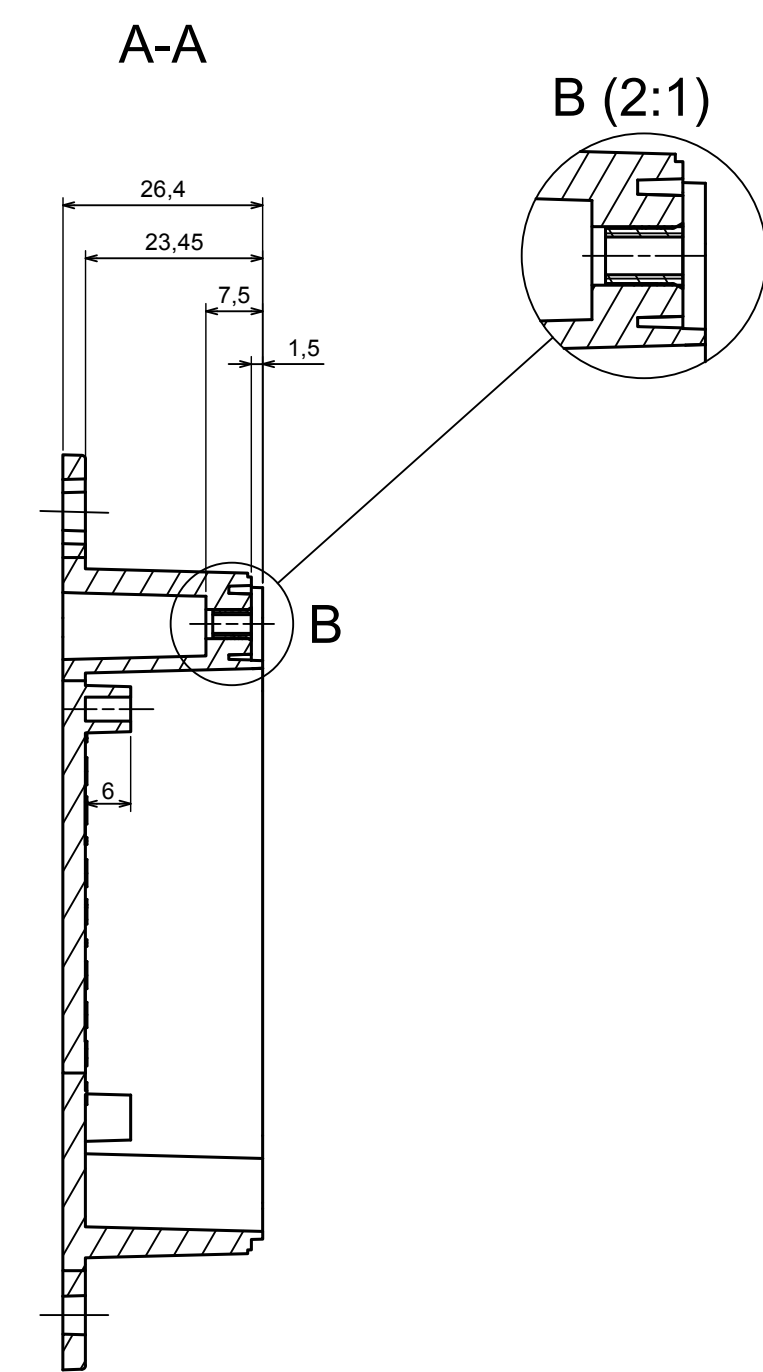
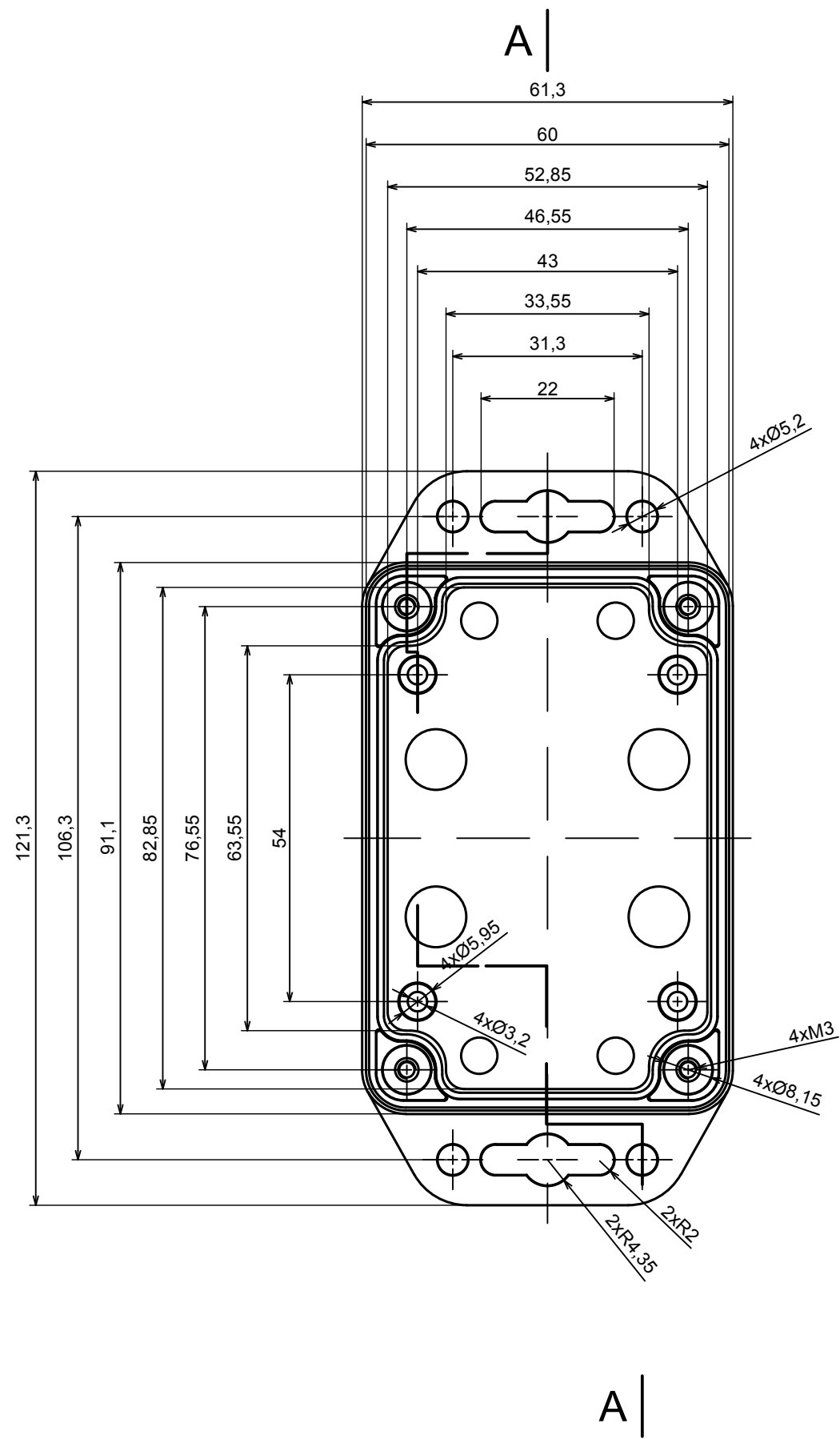
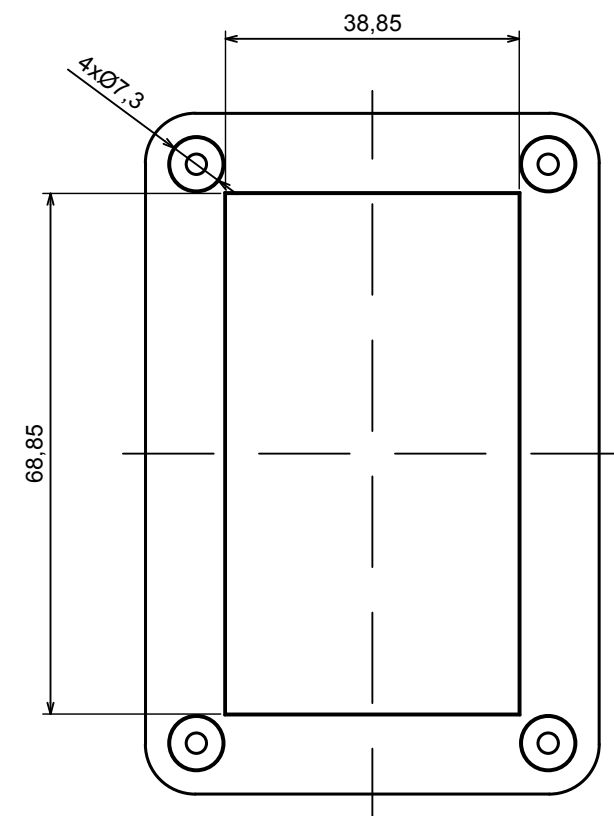
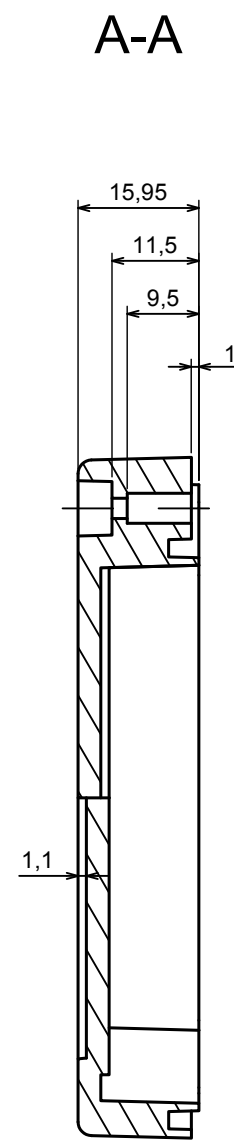
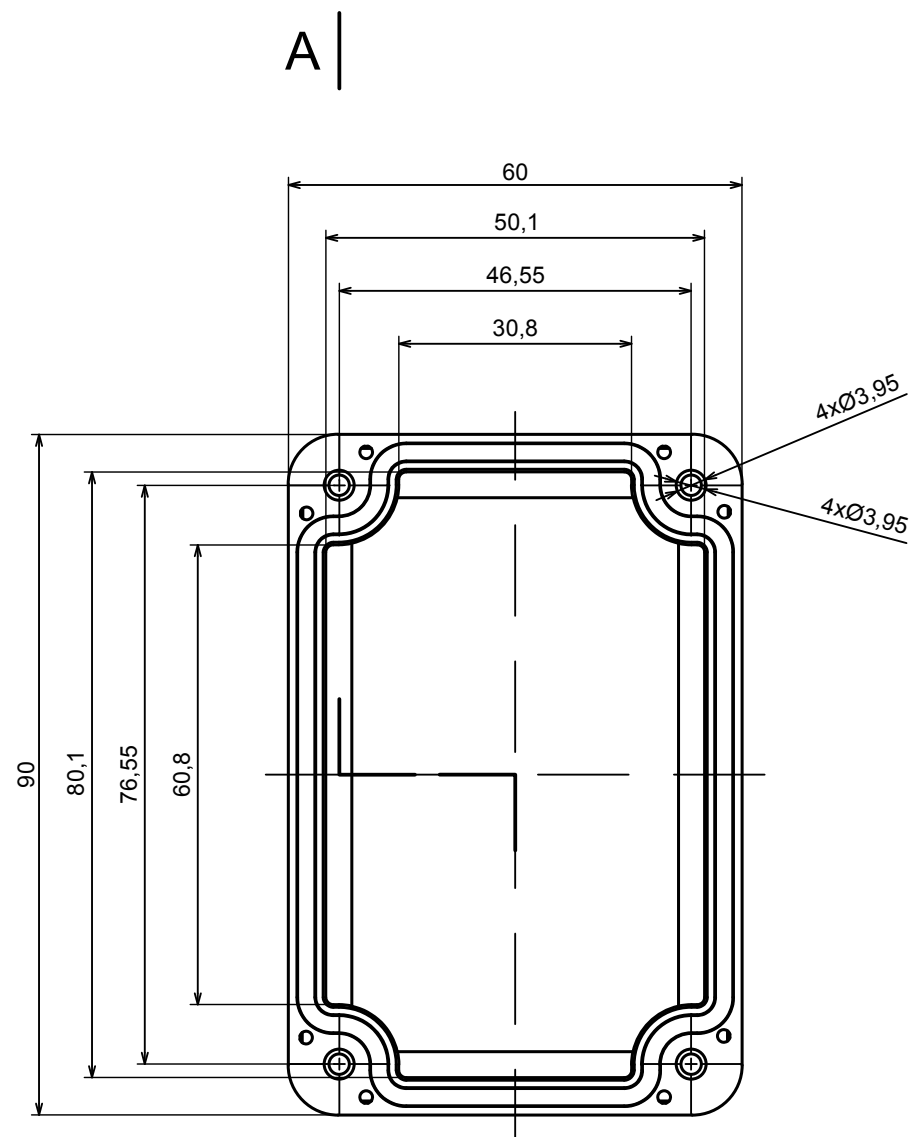


Product model		OBH-1	
Format: A3	Material: PC, ABS		
Scale 1:1	Tolerance: +/- 0.5		



Product model	OBH-1	
Format: A3	Material: PC, ABS	
Scale 1:1	Tolerance: +/- 0.5	



Product model		OBH-1	
Format: A3	Material: PC, ABS		
Scale 1:1	Tolerance: +/- 0.5		